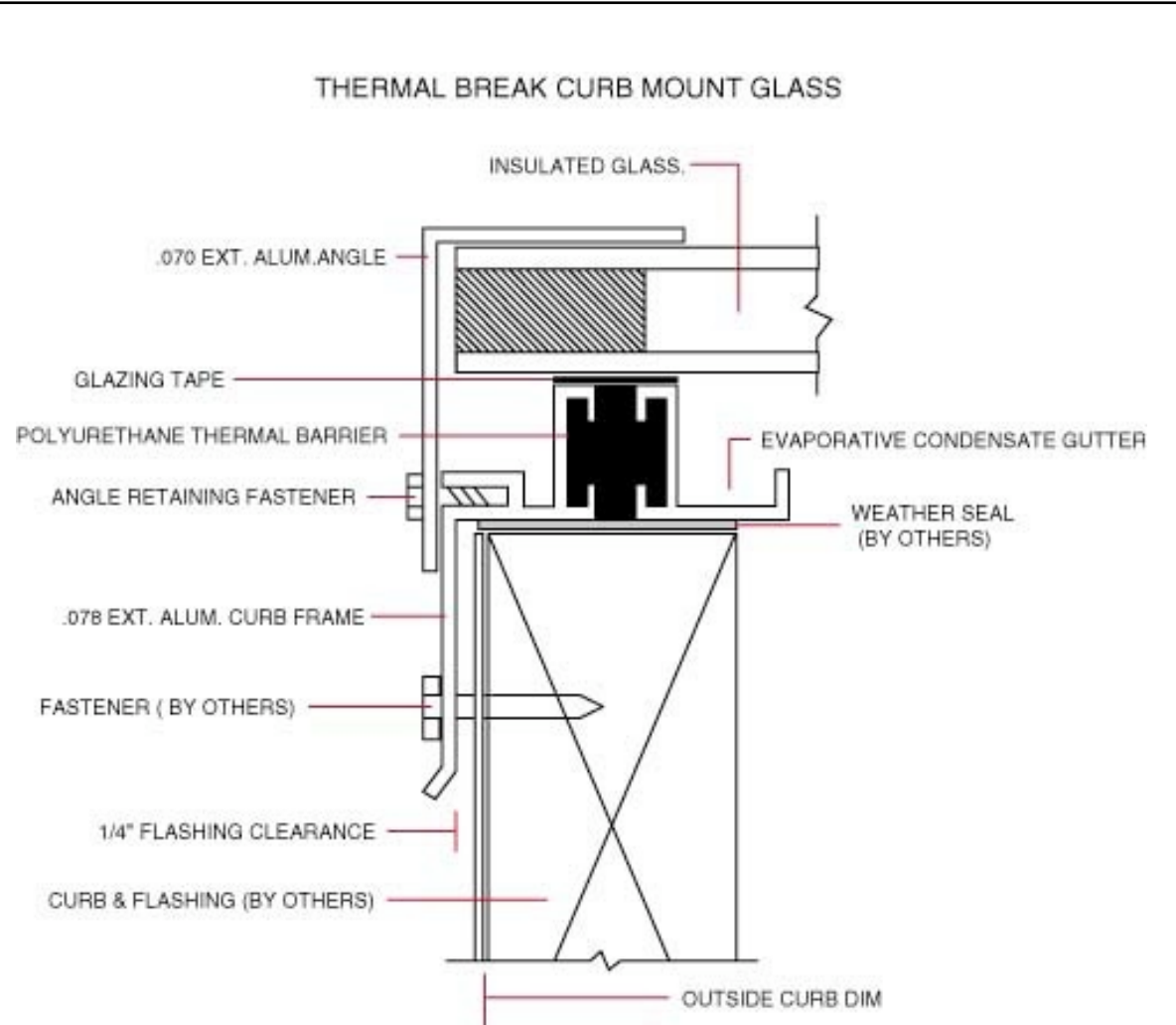


| | | | |
|---|--|--|--|
| Date: _____ | | Purchase Order# _____ | |
| Customer: _____ | | | |
| Ship To: _____ | | | |
| Phone # _____ | | Contact: _____ | |
| X | | | |
| Outside Curb Dimensions _____ | | | |
| Quantity _____ | | Requested Ship Date: _____ | |
| Insulated Glass Options: | | Frame Color: | |
| Tint Color: Outer / Inner | | Finish: | |
| <input type="checkbox"/> Bronze / Clear | | <input type="checkbox"/> Mill (Std.) | |
| <input type="checkbox"/> Gray / Clear | | <input type="checkbox"/> White Paint | |
| <input type="checkbox"/> Clear / Clear | | <input type="checkbox"/> Dark Bronze Paint | |
| <input type="checkbox"/> Other | | <input type="checkbox"/> Anodized | |
| Color _____ / _____ | | Color _____ | |
| <input type="checkbox"/> Low E | | <input type="checkbox"/> Temp / Laminated | |

Thermal Break Curb Mount
Insulated Glass



Birdview Skylights - Order Form

The Clear Choice 800-731-0326 Fax: 817-232-8468 www.BirdviewSkylights.com