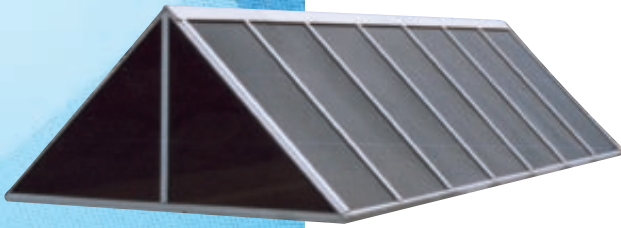
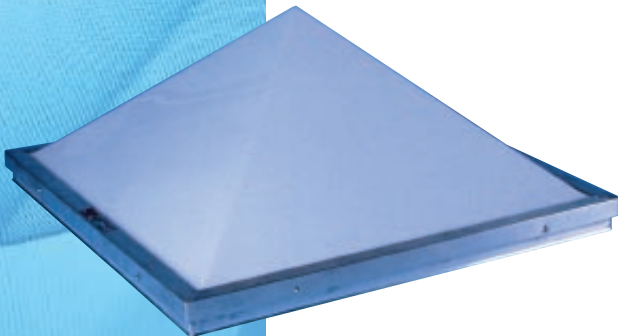


# BIRDVIEW SKYLIGHTS

## The Clear Choice



**Commercial  
& Residential**



NOA No 08-0117.02 & NOA No 08-0611.9

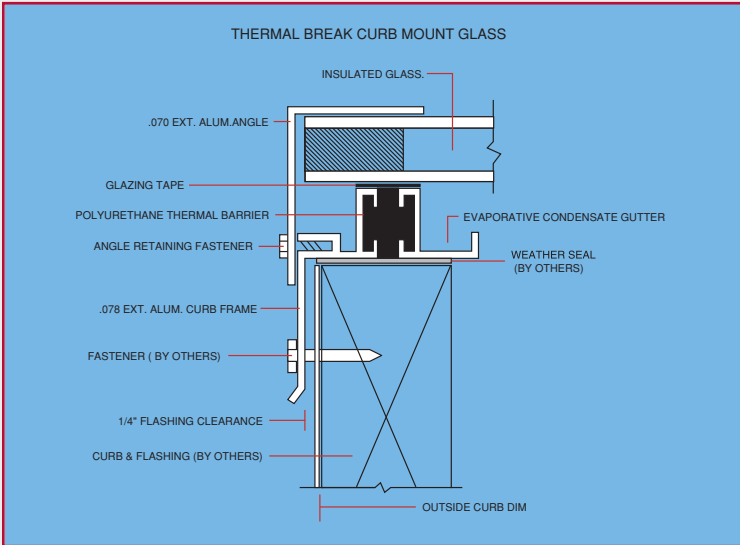
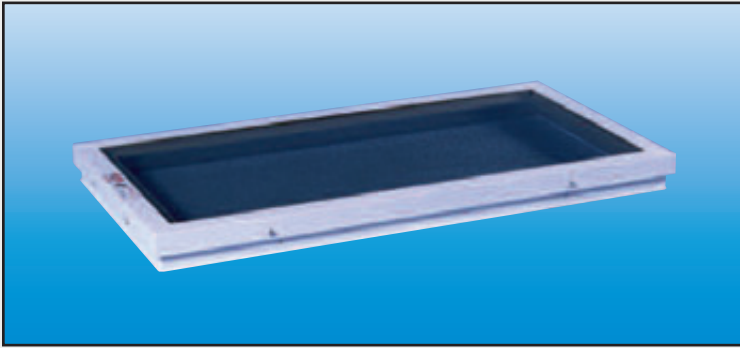
**Fall Protection That Meets OSHA Regulations**



**[www.birdviewskylights.com](http://www.birdviewskylights.com)**

# THERMAL BREAK CURB MOUNT

## INSULATED GLASS



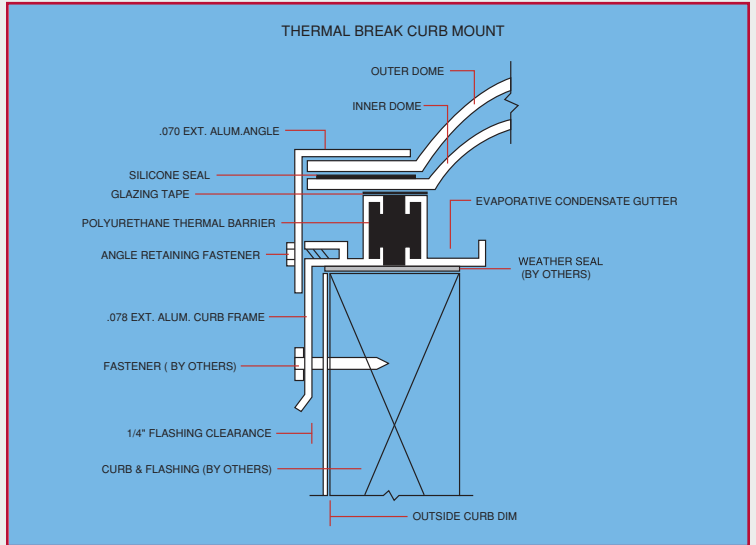
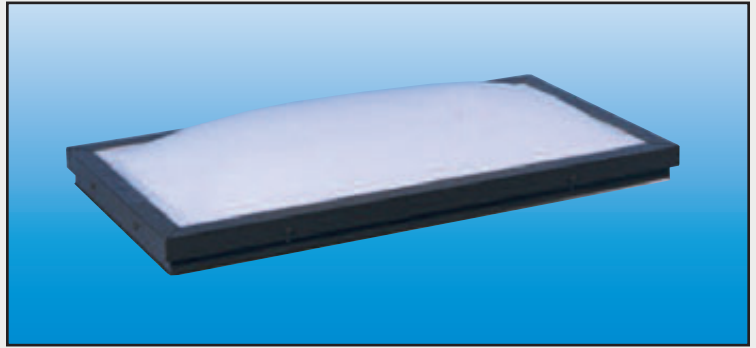
### SIZE SELECTION CHART

Square			
Model #	Out Curb Dim.	Model #	Out.Curb Dim.
TBCMG1818	17 1/4 X 17 1/4	TBCMG3636	36 X 36
TBCMG2424	24 X 24	TBCMG4848	48 X 48
TBCMG2626	25 1/4 X 25 1/4	TBCMG5050	49 1/4 X 49 1/4
TBCMG3434	33 1/4 X 33 1/4	TBCMG6060	59 1/4 X 59 1/4
Rectangle			
TBCMG1820	17 1/4 X 19 1/4	TBCMG2638	25 1/4 X 37 1/4
TBCMG1826	17 1/4 X 25 1/4	TBCMG2650	25 1/4 X 49 1/4
TBCMG1834	17 1/4 X 33 1/4	TBCMG2660	25 1/4 X 59 1/4
TBCMG1850	17 1/4 X 49 1/4	TBCMG2674	25 1/4 X 73 1/4
TBCMG1860	17 1/4 X 59 1/4	TBCMG2694	25 1/4 X 93 1/4
TBCMG1874	17 1/4 X 73 1/4	TBCMG3450	33 1/4 X 49 1/4
TBCMG2436	24 X 36	TBCMG3648	36 X 48
TBCMG2448	24 X 48	TBCMG3460	33 1/4 X 59 1/4
TBCMG2460	24 X 60	TBCMG3474	33 1/4 X 73 1/4
TBCMG2472	24 X 72	TBCMG3494	33 1/4 X 93 1/4
TBCMG2496	24 X 96	TBCMG5060	49 1/4 X 59 1/4
TBCMG2634	25 1/4 X 33 1/4	TBCMG5074	49 1/4 X 73 1/4

Thermal Break Curb Mount Glass is available in various tints and glazing options. Reference page 8 for glazing data.

**Specifications:** Insulated Glass skylights shall be Birdview's Thermally Broken Curb Mount Model (TBCMG) (size) as manufactured by Birdview Skylights, 201 Longhorn Rd., Fort Worth, Texas 76179. The skylights shall be factory assembled unit(s), each consisting of insulated glass (specify tint and special coatings) \_\_\_\_\_ glazing, to support 40 PSF live load with a .078 extruded aluminum frame with polyurethane thermal break to prevent condensation on interior portions of aluminum frame and .070 extruded aluminum glazing retaining angle. The skylights are to be completely sealed between glass and frame members. Each unit will have evaporative condensate gutters, with no weep holes, to prevent air infiltration or exfiltration. Glazing materials are not designed to support the weight of a person.

## PLASTIC DOMED OR PYRAMID



### SIZE SELECTION CHART

Square			
Model #	Out Curb Dim.	Model #	Out.Curb Dim.
TBCM1818	17 1/4 X 17 1/4	TBCM4848	48 X 48
TBCM2424	24 X 24	TBCM5050	49 1/4 X 49 1/4
TBCM2626	25 1/4 X 25 1/4	TBCM6060	59 1/4 X 59 1/4
TBCM3434	33 1/4 X 33 1/4	TBCM7474	73 1/4 X 73 1/4
TBCM3636	36 X 36	TBCM9494	93 1/4 X 93 1/4
Rectangle			
TBCM1820	17 1/4 X 19 1/4	TBCM2660	25 1/4 X 59 1/4
TBCM1826	17 1/4 X 25 1/4	TBCM2674	25 1/4 X 73 1/4
TBCM1834	17 1/4 X 33 1/4	TBCM2694	25 1/4 X 93 1/4
TBCM1850	17 1/4 X 49 1/4	TBCM3450	33 1/4 X 49 1/4
TBCM1860	17 1/4 X 59 1/4	TBCM3648	36 X 48
TBCM1874	17 1/4 X 73 1/4	TBCM3460	33 1/4 X 59 1/4
TBCM2436	24 X 36	TBCM3474	33 1/4 X 73 1/4
TBCM2448	24 X 48	TBCM3494	33 1/4 X 93 1/4
TBCM2460	24 X 60	TBCM5060	49 1/4 X 59 1/4
TBCM2472	24 X 72	TBCM5074	49 1/4 X 73 1/4
TBCM2496	24 X 96	TBCM5094	49 1/4 X 93 1/4
TBCM2634	25 1/4 X 33 1/4	TBCM6074	59 1/4 X 73 1/4
TBCM2638	25 1/4 X 37 1/4	TBCM6094	59 1/4 X 93 1/4
TBCM2650	25 1/4 X 49 1/4	TBCM7494	73 1/4 X 93 1/4

Thermal Break Curb Mount plastic domed or pyramid style units are available in acrylic or polycarbonate plastic.

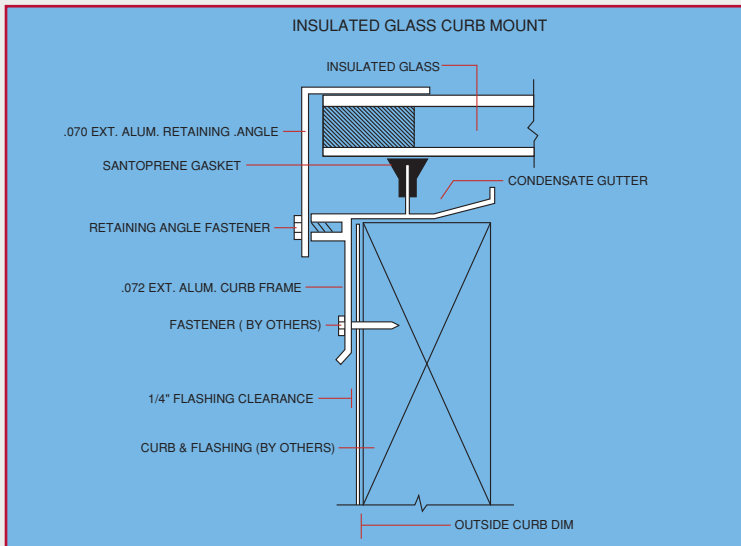
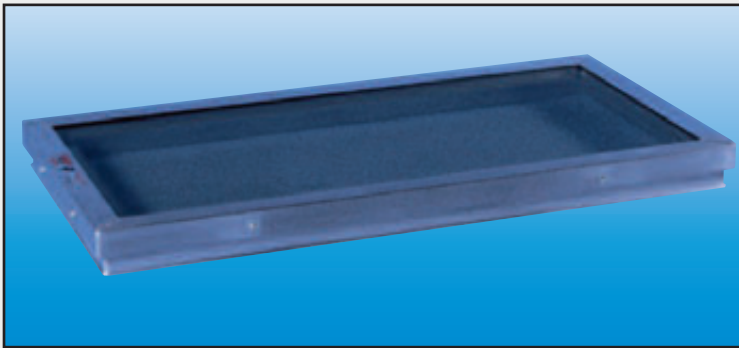
Reference page 8 for glazing data.

Add letter P after TBCM for pyramid style units.

**Specifications:** Plastic (Dome or Pyramid) skylights shall be Birdview's Thermally Broken Curb Mount Model (TBCM) (size) as manufactured by Birdview Skylights, 201 Longhorn Rd., Fort Worth, Texas 76179. The skylights shall be factory assembled units, each consisting of sealed (acrylic or polycarbonate) \_\_\_\_\_ (domes or pyramids) \_\_\_\_\_ made from Birdview's (tint) \_\_\_\_\_ material to support 40 PSF live load, with .078 extruded aluminum frame with polyurethane thermal break to prevent condensation on interior portions of aluminum frame and .070 glazing retaining angle. Each unit will have an evaporative condensate gutter with no weep holes, to air prevent infiltration or exfiltration. Glazing materials are not designed to support the weight of a person.

# STANDARD CURB MOUNT

## FLAT GLASS



### SIZE SELECTION CHART

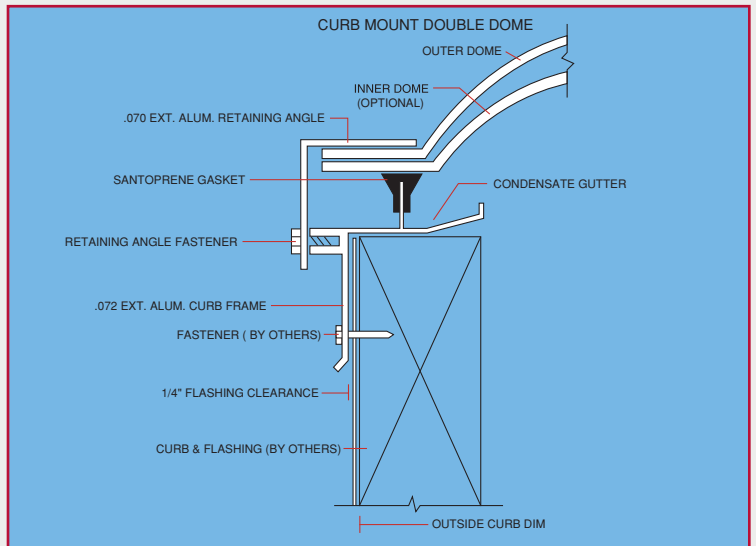
Square			
Model #	Out Curb Dim.	Model #	Out.Curb Dim.
CMG1818	17 1/4 X 17 1/4	CMG3636	36 X 36
CMG2424	24 X 24	CMG4848	48 X 48
CMG2626	25 1/4 X 25 1/4	CMG5050	49 1/4 X 49 1/4
CMG3434	33 1/4 X 33 1/4	CMG6060	59 1/4 X 59 1/4
Rectangle			
CMG1820	17 1/4 X 19 1/4	CMG2638	25 1/4 X 37 1/4
CMG1826	17 1/4 X 25 1/4	CMG2650	25 1/4 X 49 1/4
CMG1834	17 1/4 X 33 1/4	CMG2660	25 1/4 X 59 1/4
CMG1850	17 1/4 X 49 1/4	CMG2674	25 1/4 X 73 1/4
CMG1860	17 1/4 X 59 1/4	CMG2694	25 1/4 X 93 1/4
CMG1874	17 1/4 X 73 1/4	CMG3450	33 1/4 X 49 1/4
CMG2436	24 X 36	CMG3648	36 X 48
CMG2448	24 X 48	CMG3660	36 X 48
CMG2460	24 X 60	CMG3474	33 1/4 X 73 1/4
CMG2472	24 X 72	CMG3494	33 1/4 X 93 1/4
CMG2496	24 X 96	CMG5060	49 1/4 X 59 1/4
CMG2634	25 1/4 X 33 1/4	CMG5074	49 1/4 X 73 1/4

Curb Mount Glass is available in single pane or insulated double pane. Reference page 8 for glazing data.  
Add letter I after G for insulated units.

**Specifications:** Insulated Glass skylights shall be Birdview's Model CMGD (size) as manufactured by Birdview Skylights, 201 Longhorn Rd., Fort Worth, Texas 76179. The skylight(s) shall be factory assembled unit(s), each consisting of insulated glass (specify tint and special coatings) glazing to support 40 PSF live load, with a .072 extruded aluminum frame and .070 extruded aluminum glazing retaining angle. Each unit shall have an integral 10 degree sloping condensate gutter with drainage slots to carry all moisture to the outside.

Glazing materials are not designed to support the weight of a person.

## PLASTIC DOMED OR PYRAMID



### SIZE SELECTION CHART

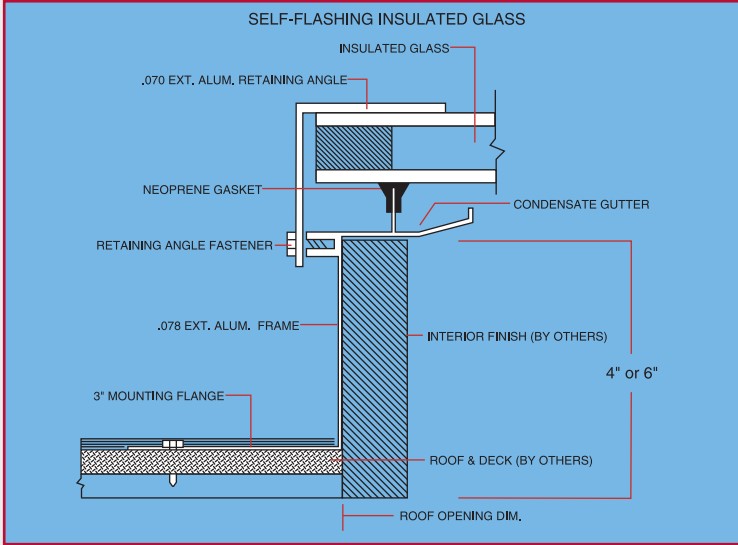
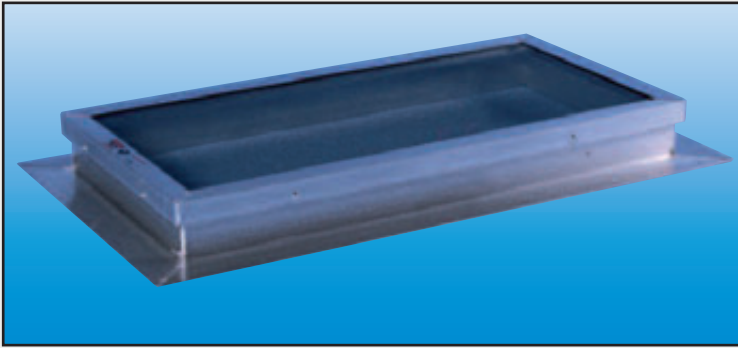
Square			
Model #	Out Curb Dim.	Model #	Out.Curb Dim.
CM1818	17 1/4 X 17 1/4	CM4848	48 X 48
CM2424	24 X 24	CM5050	49 1/4 X 49 1/4
CM2626	25 1/4 X 25 1/4	CM6060	59 1/4 X 59 1/4
CM3434	33 1/4 X 33 1/4	CM7474	73 1/4 X 73 1/4
CM3636	36 X 36	CM9494	93 1/4 X 93 1/4
Rectangle			
CM1820	17 1/4 X 19 1/4	CM2660	25 1/4 X 59 1/4
CM1826	17 1/4 X 25 1/4	CM2674	25 1/4 X 73 1/4
CM1834	17 1/4 X 33 1/4	CM2694	25 1/4 X 93 1/4
CM1850	17 1/4 X 49 1/4	CM3450	33 1/4 X 49 1/4
CM1860	17 1/4 X 59 1/4	CM3648	36 X 48
CM1874	17 1/4 X 73 1/4	CM3460	33 1/4 X 59 1/4
CM2436	24 X 36	CM3474	33 1/4 X 73 1/4
CM2448	24 X 48	CM3494	33 1/4 X 93 1/4
CM2460	24 X 60	CM5060	49 1/4 X 59 1/4
CM2472	24 X 72	CM5074	49 1/4 X 73 1/4
CM2496	24 X 96	CM5094	49 1/4 X 93 1/4
CM2634	25 1/4 X 33 1/4	CM6074	59 1/4 X 73 1/4
CM2638	25 1/4 X 37 1/4	CM6094	59 1/4 X 93 1/4
CM2650	25 1/4 X 49 1/4	CM7494	73 1/4 X 93 1/4

Curb Mount plastic domed or pyramid style units are available in acrylic or polycarbonate plastic.  
Reference page 8 for glazing data  
Add letter D after CM for double dome units.  
Add letter P after CM for pyramid style units.

**Specifications:** Plastic (Dome or Pyramid) skylights shall be Birdview's model CM(CMD for double dome, CMP for pyramid) (size) as manufactured by Birdview Skylights, 201 Longhorn Rd., Ft Worth, Texas 76179. The skylight(s) shall be factory assembled unit(s), each consisting of (acrylic or polycarbonate) material, (domes or pyramids) made from Birdview's (tint over tint) material to support 40 PSF live load, with a .072 extruded aluminum frame and .070 extruded aluminum glazing retaining angle. Each unit shall have an integral 10 degree sloping condensate gutter with drainage slots to carry all moisture to the outside.  
Glazing materials are not designed to support the weight of a person.

# STANDARD 4" & 6" SELF-FLASHING

## 4" & 6" FLAT GLASS



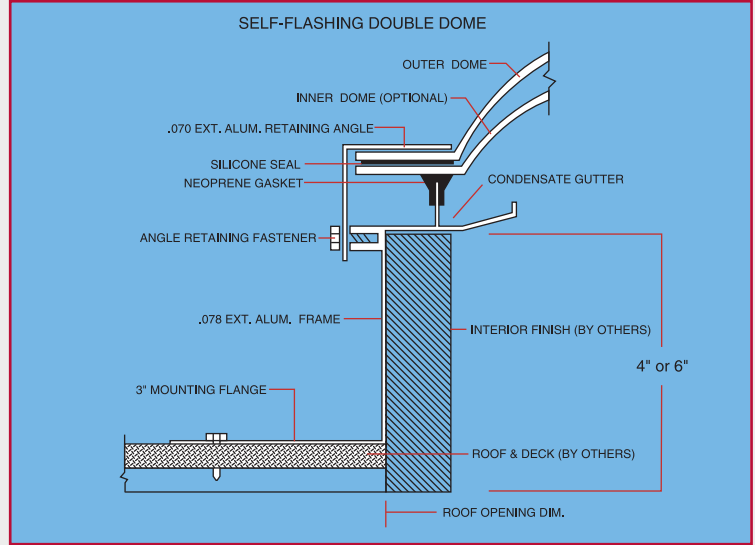
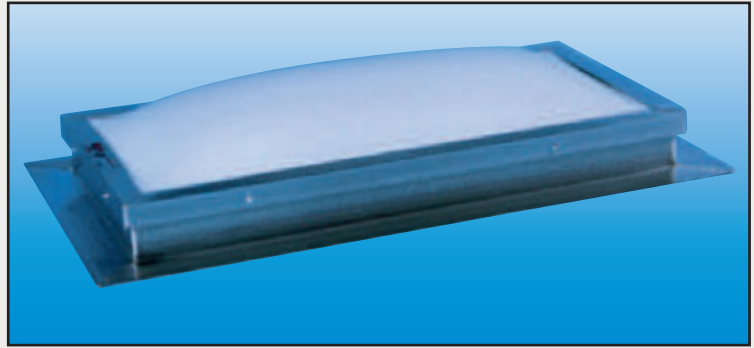
### SIZE SELECTION CHART

Square			
Model #	Roof Opening Dim.	Model #	Roof Opening Dim.
SFG1818	14 1/4 X 14 1/4	SFG3636	36 X 36
SFG2424	24 X 24	SFG4848	48 X 48
SFG2626	22 1/4 X 22 1/4	SFG5050	46 1/4 X 46 1/4
SFG3434	30 1/4 X 30 1/4	SFG6060	56 1/4 X 56 1/4
Rectangle			
SFG1820	14 1/4 X 16 1/4	SFG2638	22 1/4 X 34 1/4
SFG1826	14 1/4 X 22 1/4	SFG2650	22 1/4 X 46 1/4
SFG1834	14 1/4 X 30 1/4	SFG2660	22 1/4 X 56 1/4
SFG1850	14 1/4 X 46 1/4	SFG2674	22 1/4 X 70 1/4
SFG1860	14 1/4 X 56 1/4	SFG2694	22 1/4 X 90 1/4
SFG1874	14 1/4 X 70 1/4	SFG3450	30 1/4 X 46 1/4
SFG2436	24 X 36	SFG3648	36 X 48
SFG2448	24 X 48	SFG3460	30 1/4 X 56 1/4
SFG2460	24 X 60	SFG3474	30 1/4 X 70 1/4
SFG2472	24 X 72	SFG3494	30 1/4 X 90 1/4
SFG2496	24 X 96	SFG5060	46 1/4 X 56 1/4
SFG2634	22 1/4 X 30 1/4	SFG5074	46 1/4 X 70 1/4

Self Flashing Glass is available single pane or insulated double pane Reference page 8 for glazing data.  
 Add the letter I after G for insulated units.  
 Add number 6 before SFG for 6" Self Flashing.

**Specifications:** Insulated Glass skylights shall be Birdview's Model (for 4") SF or (6") 6SF (size) Self Flashing as manufactured by Birdview Skylights, 201 Longhorn Rd., Ft Worth, Texas 76179. The skylight(s) shall be a factory assembled unit(s), each consisting of insulated glass (specify tint and special coatings) glazing, to support 40 PSF live load with .078 extruded aluminum curb frame and .070 extruded aluminum glazing retaining angle. Each unit shall have an integral 10 degree sloping condensate gutter with drainage slots to carry all moisture to the outside, and a 3" mounting flange ready for installation to roof deck. Glazing materials are not designed to support the weight of a person.

## 4" & 6" PLASTIC DOMED OR PYRAMID



### SIZE SELECTION CHART

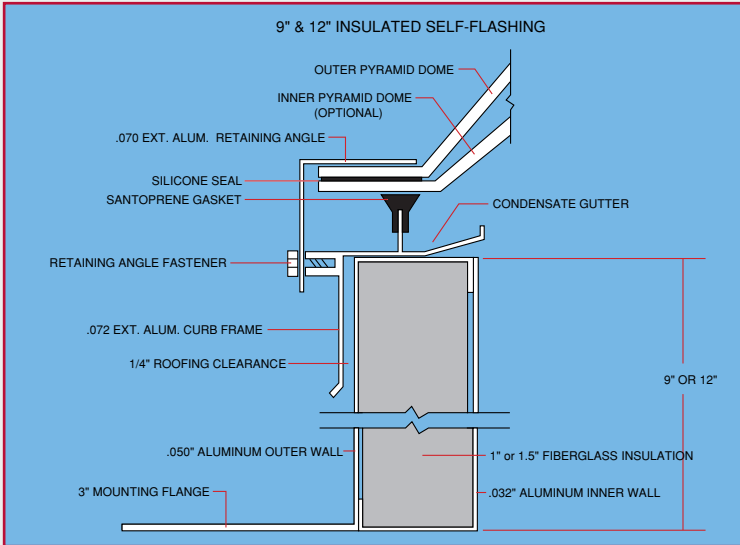
Square			
Model #	Roof Opening Dim.	Model #	Roof Opening Dim.
SF1818	14 1/4 X 14 1/4	SF4848	48 X 48
SF2424	24 X 24	SF5050	46 1/4 X 46 1/4
SF2626	22 1/4 X 22 1/4	SF6060	56 1/4 X 56 1/4
SF3434	30 1/4 X 30 1/4	SF7474	70 1/4 X 70 1/4
SF3636	36 X 36	SF9494	90 1/4 X 90 1/4
Rectangle			
SF1820	14 1/4 X 16 1/4	SF2660	22 1/4 X 56 1/4
SF1826	14 1/4 X 22 1/4	SF2674	22 1/4 X 70 1/4
SF1834	14 1/4 X 30 1/4	SF2694	22 1/4 X 90 1/4
SF1850	14 1/4 X 46 1/4	SF3450	30 1/4 X 46 1/4
SF1860	14 1/4 X 56 1/4	SF3648	36 X 48
SF1874	14 1/4 X 70 1/4	SF3460	30 1/4 X 56 1/4
SF2436	24 X 36	SF3474	30 1/4 X 70 1/4
SF2448	24 X 48	SF3494	30 1/4 X 90 1/4
SF2460	24 X 60	SF5060	46 1/4 X 56 1/4
SF2472	24 X 72	SF5074	46 1/4 X 70 1/4
SF2496	24 X 96	SF5094	46 1/4 X 90 1/4
SF2634	22 1/4 X 30 1/4	SF6074	56 1/4 X 70 1/4
SF2638	22 1/4 X 34 1/4	SF6094	56 1/4 X 90 1/4
SF2650	22 1/4 X 46 1/4	SF7494	70 1/4 X 90 1/4

Self Flashing plastic domed or pyramid style units are available in acrylic or polycarbonate plastic.  
 Reference page 8 for glazing data.  
 Add the letter D after SF for double dome units  
 Add the letter P after SF for pyramid style units  
 Add the number 6 before SF for 6" Self Flashing.

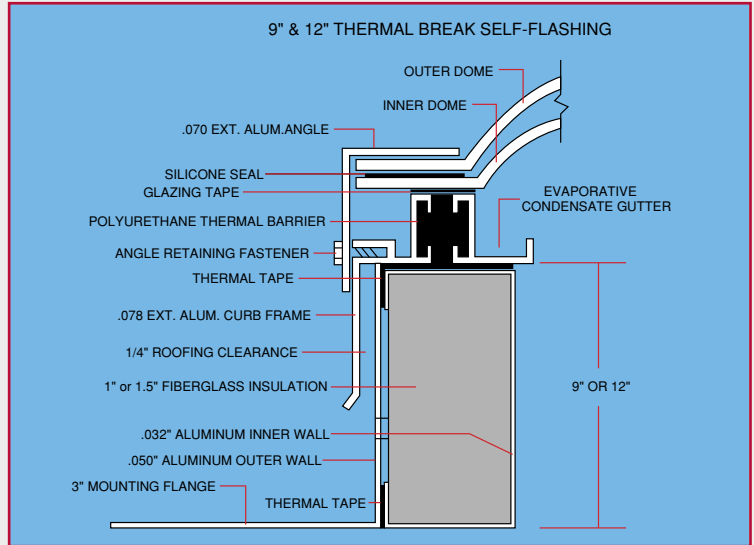
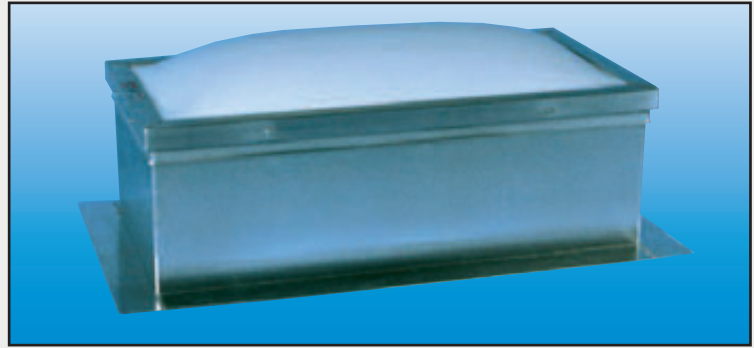
**Specifications:** Plastic (Dome or Pyramid) skylights shall be Birdview's Model (for 4")SF or (6") 6SF (size) as manufactured by Birdview Skylights, 201 Longhorn Rd., Ft Worth, Texas 76179. The skylight(s) shall be factory assembled unit(s), each consisting of (acrylic or polycarbonate)\_\_\_\_, (domes or pyramids)\_\_\_\_, made from Birdview's (tint over tint)\_\_\_\_ material to support 40 PSF live load, with .078 extruded aluminum curb frame and .070 extruded aluminum glazing retaining angle. Each unit shall have an integral 10 degree sloping condensate gutter with drainage slots to carry all moisture to the outside, and 3" mounting flange ready for installation to roof deck. Glazing materials are not designed to support the weight of a person.

# INSULATED CURB & THERMAL BREAK 9" OR 12" SELF - FLASHING

## INSULATED CURB



## THERMAL BREAK



### SIZE SELECTION CHART

Square		Rectangle	
Model#	Roof Opening Dim.	Model#	Roof Opening Dim.
ISF2626	22 1/4 X 22 1/4	ISF2650	22 1/4 X 46 1/4
ISF3434	30 1/4 X 30 1/4	ISF2674	22 1/4 X 70 1/4
ISF5050	46 1/4 X 46 1/4	ISF2694	22 1/4 X 90 1/4
ISF6060	56 1/4 X 56 1/4	ISF3474	30 1/4 X 70 1/4
ISF7474	70 1/4 X 70 1/4	ISF3494	30 1/4 X 90 1/4
ISF8484	80 1/4 X 80 1/4	ISF5074	46 1/4 X 70 1/4
ISF9494	90 1/4 X 90 1/4	ISF5094	46 1/4 X 90 1/4

Insulated Self Flashing plastic domed or pyramid style units are available in acrylic or polycarbonate plastic.

Reference page 8 for glazing data.

Add the letter D after ISF for double dome units.

Add the letter P after ISF for pyramid style units.

Add the number 9 before ISF for 9" units.

Add the number 12 before ISF for 12" units.

**Specifications:** Plastic (dome or pyramid) skylights shall Birdview's Model (\_\_\_size\_\_\_) (91SF for 9" tall or 121SF for 12" tall) (\_\_\_size\_\_\_) as manufactured by Birdview Skylights, 201 Longhorn Rd., Fort Worth, Texas 76179. The skylight(s) shall factory assembled unit(s), each consisting of (acrylic or polycarbonate) \_\_\_\_\_, (domes or pyramids) \_\_\_\_\_ made from Birdview's (tint over tint) \_\_\_\_\_ material to support 40 PSF live load with .072 extruded aluminum glazing frame with 10 degree sloping condensate gutter with drainage slots to carry all moisture to the outside, and .070 extruded aluminum glazing retaining angle. Insulated (9" or 12") \_\_\_\_\_, curb shall house 1" thick fiberglass insulation between .032 aluminum inner wall and a .050 aluminum outer wall with 3" mounting flange ready for installation to roof deck.

Glazing materials are not designed to support the weight of a person.

### SIZE SELECTION CHART

Square		Rectangle	
Model#	Roof Opening Dim.	Model#	Roof Opening Dim.
TBSF2626	22 1/4 X 22 1/4	TBSF2650	22 1/4 X 46 1/4
TBSF3434	30 1/4 X 30 1/4	TBSF2674	22 1/4 X 70 1/4
TBSF5050	46 1/4 X 46 1/4	TBSF2694	22 1/4 X 90 1/4
TBSF6060	56 1/4 X 56 1/4	TBSF3474	30 1/4 X 70 1/4
TBSF7474	70 1/4 X 70 1/4	TBSF3494	30 1/4 X 90 1/4
TBSF8484	80 1/4 X 80 1/4	TBSF5074	46 1/4 X 70 1/4
TBSF9494	90 1/4 X 90 1/4	TBSF5094	46 1/4 X 90 1/4

Thermally Broken Insulated Self Flashing plastic domed or pyramid style units are available in acrylic or polycarbonate plastic

Reference page 8 for glazing data.

Add the letter P after TBSF for pyramid style units.

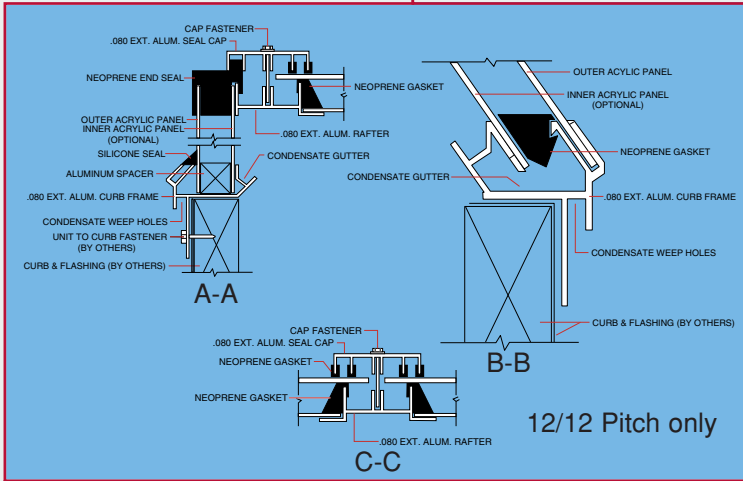
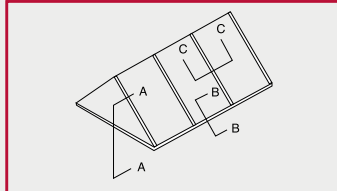
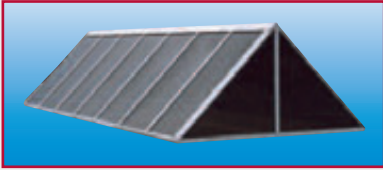
Add the number 9 before TBSF for 9" units.

Add the number 12 before TBSF for 12" units.

**Specifications:** Plastic (dome or pyramid) Thermal Break skylights shall be Birdview's Model (9TBSF for 9" tall or 12TBSF for 12" tall) \_\_\_\_\_ as manufactured by Birdview Skylights, 201 Longhorn Rd., Fort Worth, Texas 76179. The skylight(s) shall be factory assembled unit(s), each consisting of (acrylic or polycarbonate) \_\_\_\_\_, (domes or pyramids) \_\_\_\_\_ made from Birdview's (tint over tint) \_\_\_\_\_ material to support 40 PSF live load with .078 extruded aluminum glazing frame with polyurethane thermal break to prevent condensation on interior portions of aluminum frame and .070 extruded aluminum glazing retaining angle. Each unit will have an evaporative condensate gutter with no weep holes to prevent air infiltration and exfiltration. Insulated (9" or 12") \_\_\_\_\_ curbs shall be constructed of double wall corrosion resistant aluminum .032 inner and .050 outer walls connected at top and bottom with thermal barriers. Units shall have 3" mounting flange ready for installation to roof deck. Glazing materials are not designed to support the weight of a person.

# RIDGE LIGHT & RIDGE MOUNT UNITS

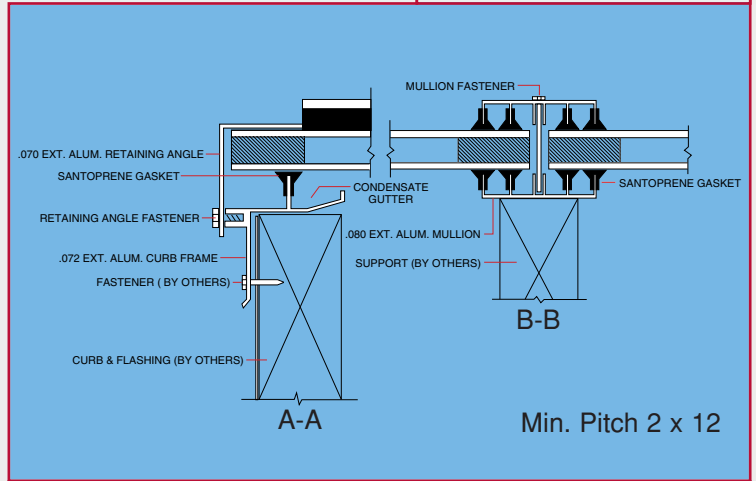
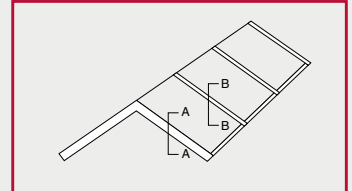
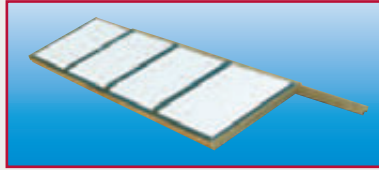
## RIDGE LIGHT



### SIZE SELECTION CHART

Single Glazed	Double Glazed	Height	Outside Curb Dimension
L24	LD24	12"	24"x unlimited
L36	LD36	18"	36"x unlimited
L48	LD48	24"	48"x unlimited
L60	LD60	30"	60"x unlimited
L72	LD72	36"	72"x unlimited

## RIDGE MOUNT

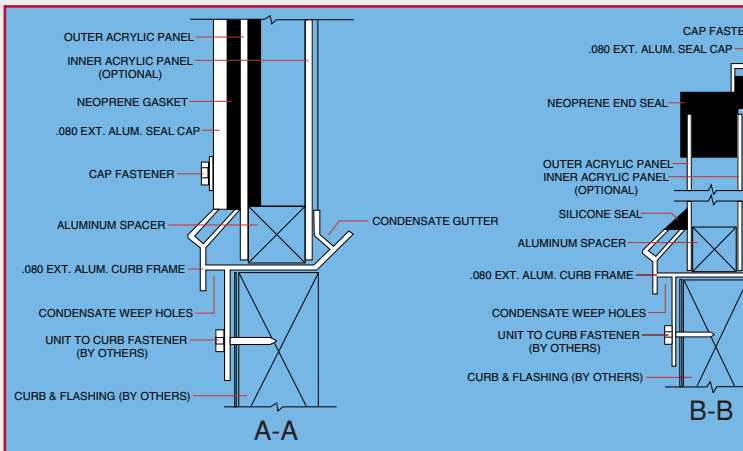
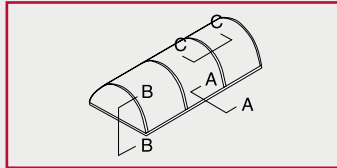
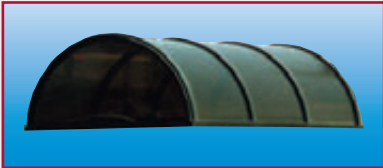


### SIZE SELECTION CHART

Single Glazed	Double Glazed	Outside Curb Dimension
R24	RD24	12"x unlimited
R36	RD36	18"x unlimited
R48	RD48	24"x unlimited
R60	RD60	30"x unlimited
R72	RD72	36"x unlimited

# HALF ROUND & BARREL VAULT UNITS

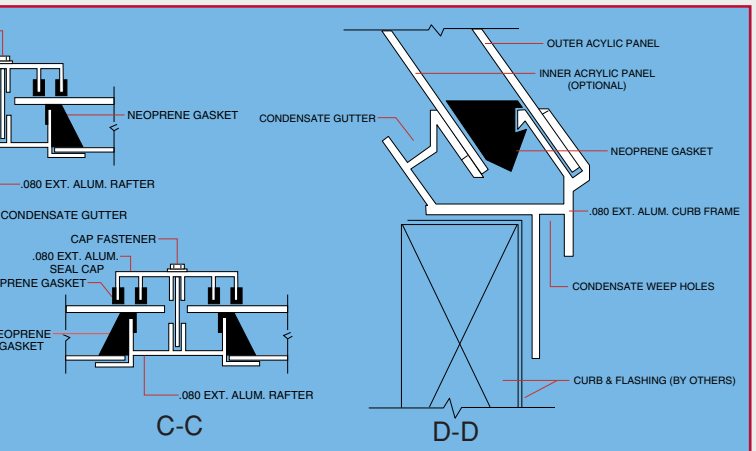
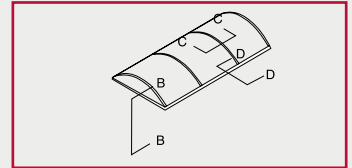
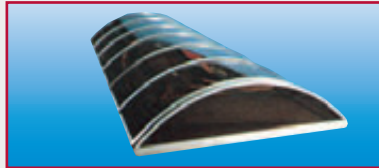
## HALF ROUND



### HALF ROUND SIZE SELECTION CHART

Single Glazed	Double Glazed	Dome Height	Outside Curb Dimension
H48	HD48	24"	48"x unlimited
H60	HD60	30"	60"x unlimited
H72	HD72	36"	72"x unlimited
H84	HD84	42"	84"x unlimited
H96	HD96	48"	96"x unlimited

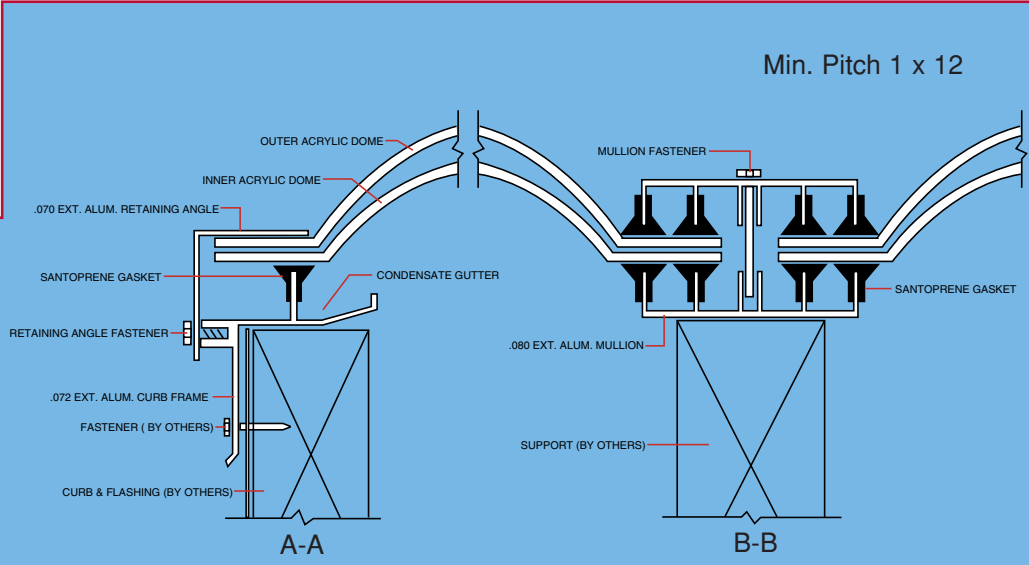
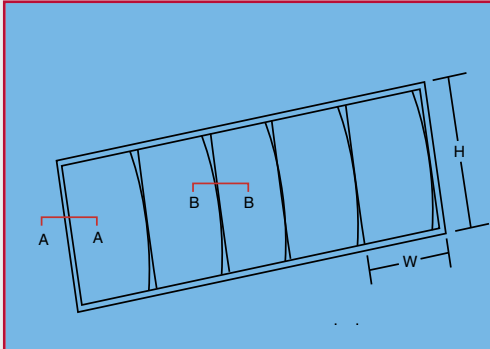
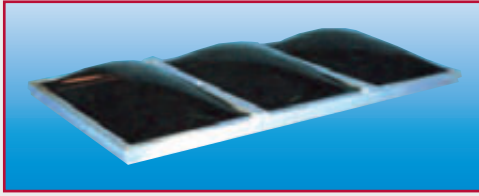
## BARREL VAULT



### BARREL VAULT SIZE SELECTION CHART

Single Glazed	Double Glazed	Dome Height	Outside Curb Dimension
B36	BD36	9"	36"x unlimited
B48	BD48	12"	48"x unlimited
B60	BD60	15"	60"x unlimited
B72	BD72	18"	72"x unlimited
B96	BD96	24"	96"x unlimited

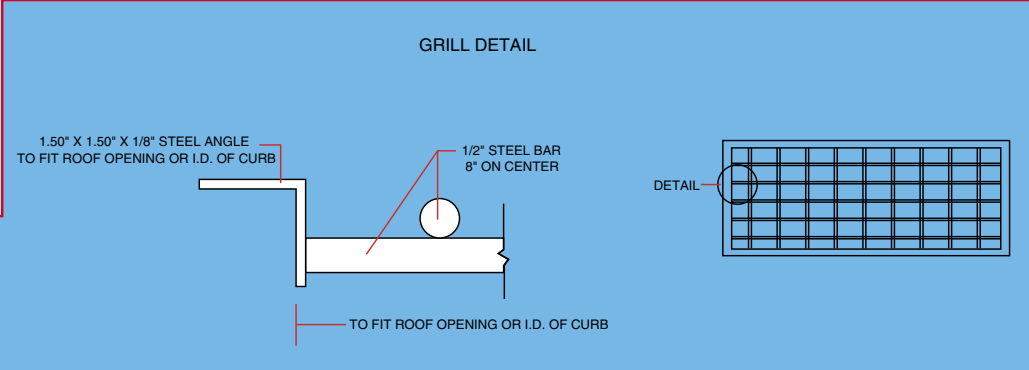
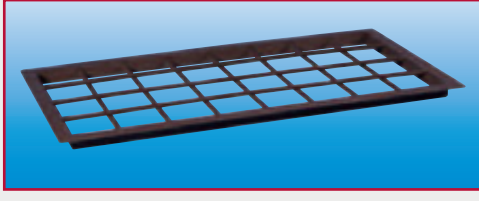
# TANDEM UNITS



## SIZE SELECTION CHART

Single Glazed	Double Glazed	Dimension W	Dimension H	Single Glazed	Double Glazed	Dimension W	Dimension H
T24	TD24	24"	varies	T60	TD60	60"	varies
T36	TD36	36"	from 24"	T72	TD72	72"	from 24"
T48	TD48	48"	to 120"	T96	TD96	96"	to 120"

# SECURITY/SAFETY GRILLS

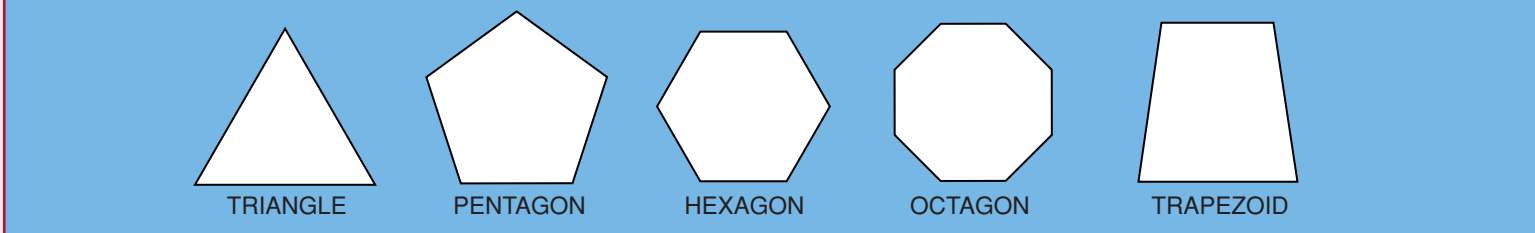


## SIZE SELECTION CHART

Model#	Inside Curb or Roof Opening Dim.	Model#	Inside Curb or Roof Opening Dim.
SSG2626	22 1/4 x 22 1/4	SSG2650	22 1/4 x 46 1/4
SSG3434	30 1/4 x 30 1/4	SSG3450	30 1/4 x 46 1/4
SSG5050	46 1/4 x 46 1/4	SSG5094	46 1/4 x 90 1/4

**Specifications:** Steel Security / Safety Grills shall be Birdview Model (SSG) (size) as manufactured by Birdview Skylights, 201 Longhorn Rd., Ft Worth, Texas 76179. The perimeter frame shall be 1 1/2" x 1 1/2" x 1/8" steel angle, with 1/2" solid steel bars welded at 8" centers across both directions. Grills shall be red oxide primed and pre-drilled for 1/4" lag bolts for mounting on curb or roof opening.

# CUSTOM SHAPES AVAILABLE



## TECHNICAL DATA

### GLASS GLAZING OPTIONS

Lighting/ Solar Table for Standard Insulated Glass

	Vis.Light Trans.	Solar Trans.
Clear	87 %	71 %
Bronze	62 %	54 %
Grey	55 %	53 %

For Comfort E (low E)

	Vis. Light	Solar Trans.
Clear	77 %	66 %
Bronze	58 %	51 %
Grey	53 %	49 %

### ACRYLIC GLAZING OPTIONS

Lighting table: Standard Colors

Acrylic	Vis. Light	SolarTrans.
Clear	92 %	85 %
2412 Bronze	27 %	35 %
7328 White	34 %	39 %

(Many additional custom colors are available upon request)

### POLYCARBONATE GLAZING OPTIONS

(based on 1/8" thick material)

	Vis. Light	Solar
Clear	86 %	89 %
Bronze	27 %	35 %
Grey	50 %	60 %
White	56 %	56 %

### CONDENSATION

Under certain conditions of high humidity and large temperature differentials, it is possible for condensation to occur on the metal and plastic surfaces. Double glazing will usually reduce the occurrence of condensation but will not totally eliminate it.

NOTE: Due to the nature of plastic glazing material, noises from expansion and contraction may be noticed from time to time and these noises will dissipate with time

Consult Manufacturer Prior to Cleaning

### FRAME FINISH OPTIONS

Paint supplied will be in-house air dry enamel. Standard colors include: dark bronze, white, black. Unlimited non-standard colors are available upon request, at additional charge.

Anodizing is available in light, medium dark bronze, or clear.  
Other anodize colors quoted on request.

### STANDARD PRODUCT WARRANTY

Birdview Skylights' products are warranted to the original purchaser for a period of five years from date of shipment against defects in material or workmanship, provided that such products are installed in accordance with Birdview Skylights' installation instructions. The liability of Birdview Skylights under this warranty shall not exceed the original purchase price of the defective unit exclusive of shipping expense and installation cost. This warranty is voided if the purchaser makes any alteration to the structure or finish of the product. Birdview Skylights reserves the right to replace or repair the unit at its option. To make a claim, contact your supplier with a written statement of the defect encountered. On all claims Birdview Skylights reserves the right to visually inspect the product and its installation. This warranty gives you specific legal Rights. You may also have other rights which vary from state to state. This is a manufacturers warranty made by Birdview Skylights, Fort Worth, Texas.  
Extended Warranty - available upon request to meet specific project requirements.

Birdview Skylights reserves the right to discontinue or change any product without prior notice.

Drawings in this brochure are not to scale. Please consult manufacturer for scaled drawings.

## **BIRDVIEW SKYLIGHTS**

201 LONGHORN ROAD  
FORT WORTH, TX 76179  
phone: 817-439-9266  
fax: 817-232-8468  
birdviewskylights.com

Distributed by: